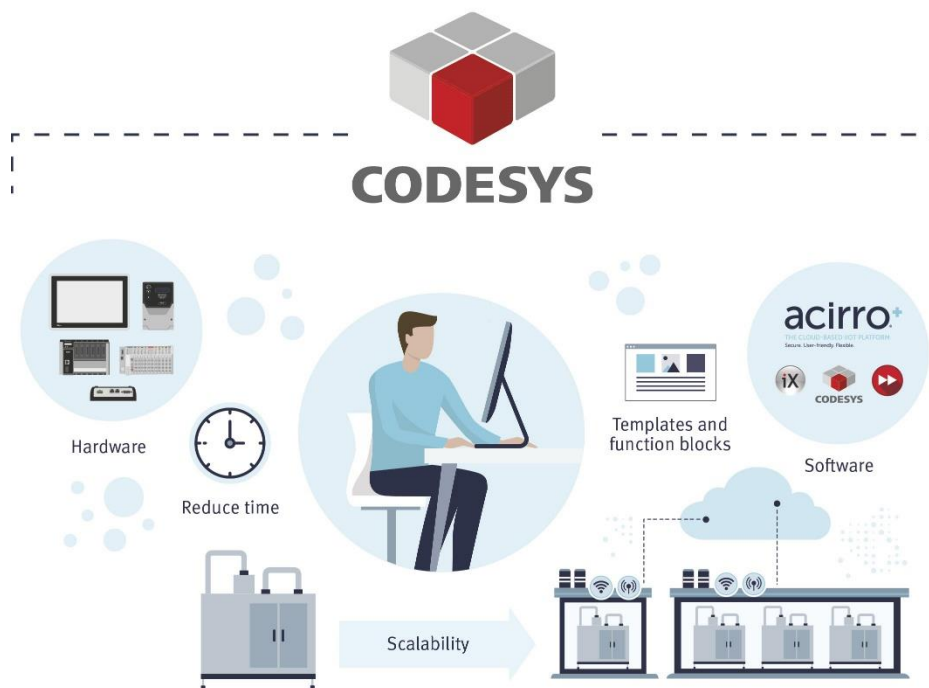


Quick start guide

CSV Read & Delimit FB - CODESYS library

SER0004 - Open and delimit a CSV file



1 Function and area of use

This document explains the CODESYS library for CSV reading and delimiting of strings.
Target device: X2 / BoX2 control series, with embedded CODESYS runtime.

2 About this document

This quick start document should not be considered as a complete manual. It is an aid to be able to startup a normal application quickly and easily.

Copyright © Beijer Electronics, 2020

This documentation (below referred to as 'the material') is the property of Beijer Electronics. The holder or user has a non-exclusive right to use the material. The holder is not allowed to distribute the material to anyone outside his/ her organization except in cases where the material is part of a system that is supplied by the holder to his/ her customer. The material may only be used with products or software supplied by Beijer Electronics. Beijer Electronics assumes no responsibility for any defects in the material, or for any consequences that might arise from the use of the material. It is the responsibility of the holder to ensure that any systems, for whatever applications, which is based on or includes the material (whether in its entirety or in parts), meets the expected properties or functional requirements. Beijer Electronics has no obligation to supply the holder with updated versions.

Use the following hardware, software, drivers and utilities in order to obtain a stable application:

In this document we have used following software and hardware

- CODESYS 3.5 SP13 patch 3
- X2 Control and BoX2 Control

For further information refer to

- CODESYS online help
- Installation manual X2 control (MAxx202)
- [Beijer Electronics knowledge database, HelpOnline](#)

This document and other quick start documents can be obtained from our homepage. Please use the address support.europe@beijerelectronics.com for feedback.

3 Table of Contents

- 1 Function and area of use.....2
- 2 About this document.....2
- 3 Table of Contents.....3
- 4 FBs handling Read and Delimit of string data4
- 5 Preparing your editor5
 - 5.1 *Installation of the library to your editor*5
 - 5.2 *Add the library into your project*6
- 6 Description of function blocks7
 - 6.1 *fbdCsvReader*7
 - 6.2 *fbdLogDelimiter*8
- 7 About Beijer Electronics9
 - 7.1 *Contact us*9
 - Global offices and distributors*9

4 FBs handling Read and Delimit of string data

This library is compatible with X2Control and BoX2Control devices (DeviceId 0x1024).

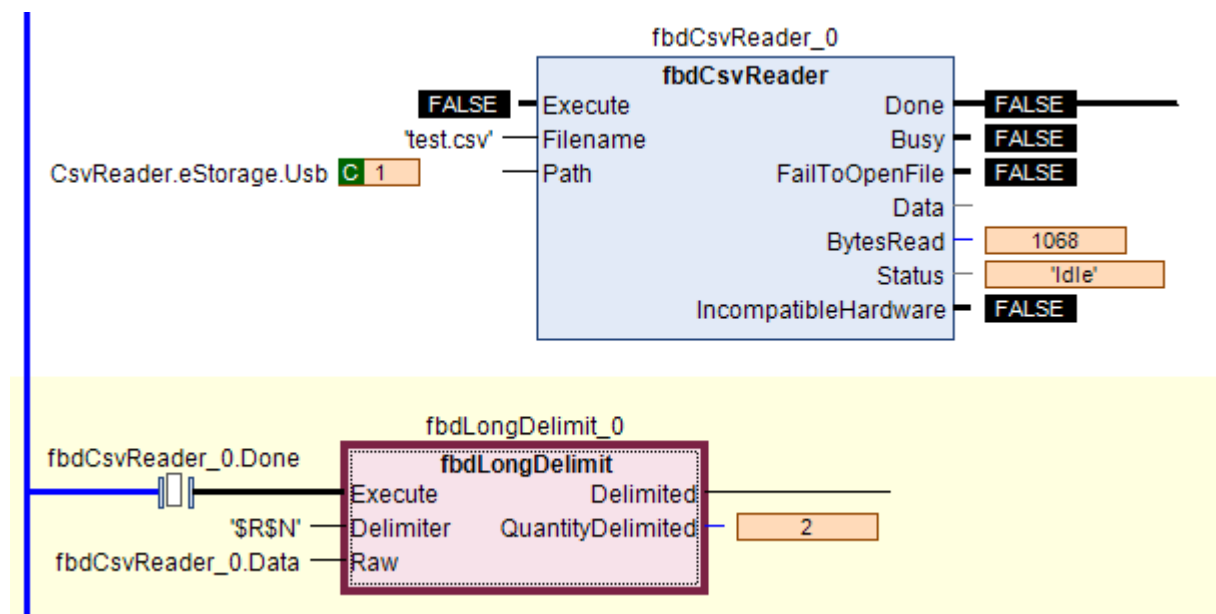
Codesys imposes a restriction on the STRING functions of 255 characters. When there is a requirement to read and/or delimit strings longer than 255 characters, this library will help.

There are two FBs. One will read and present a string as 'raw' csv. The csv location can be the internal memory of the x2, the USB or the SD card.

The file can now be further processed with the delimiting FB, which will emulate the C# string.Split() method and return the string delimited into an array of strings.

Included is the one FB and a quickstart guide.

The library file (*.compiled-library) can be installed to the CODESYS software on your PC and the FB be accessed as any block, please follow guidelines and description.



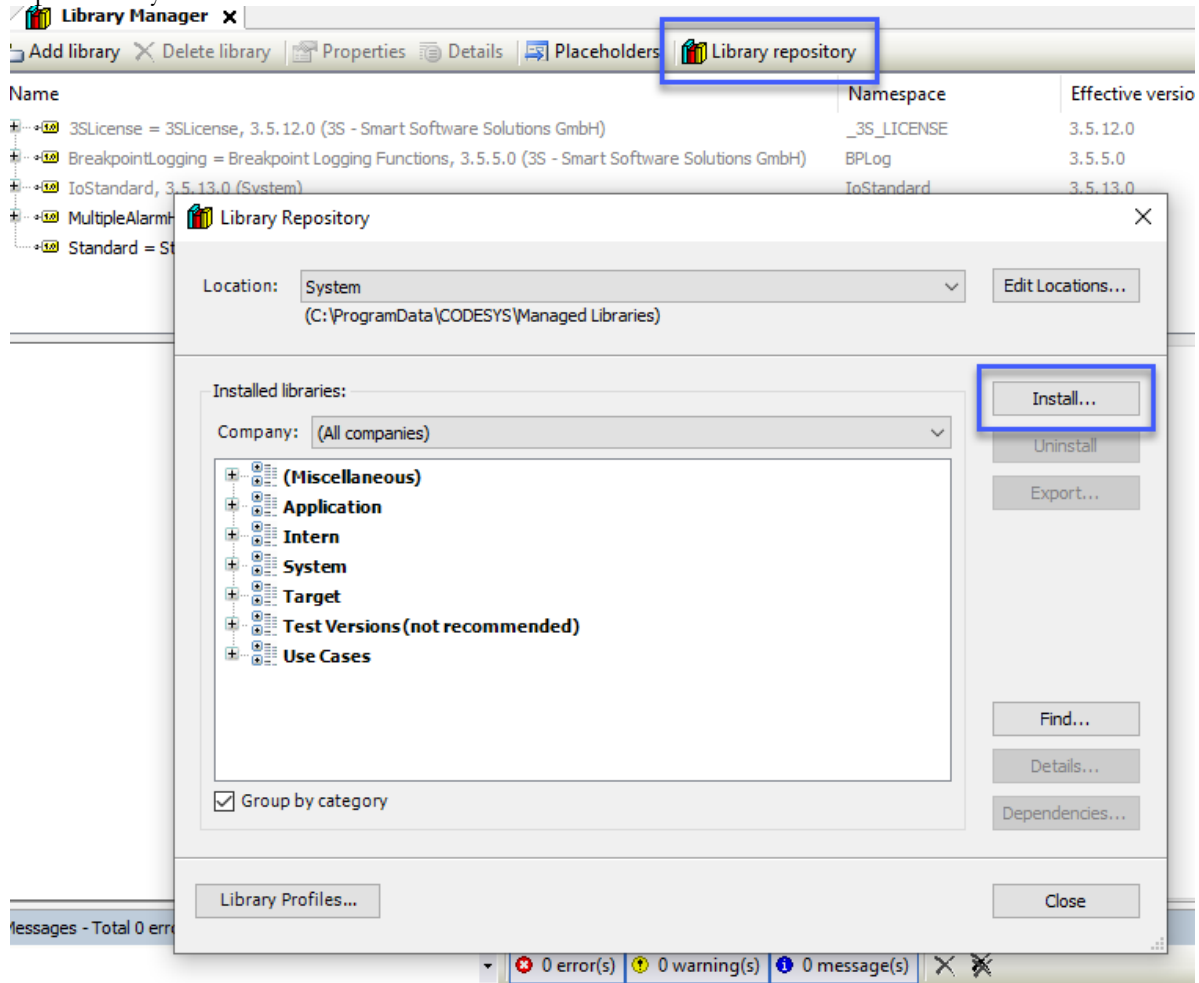
5 Preparing your editor

The following chapter describes important procedures and settings needed for a well functioning system.

5.1 Installation of the library to your editor

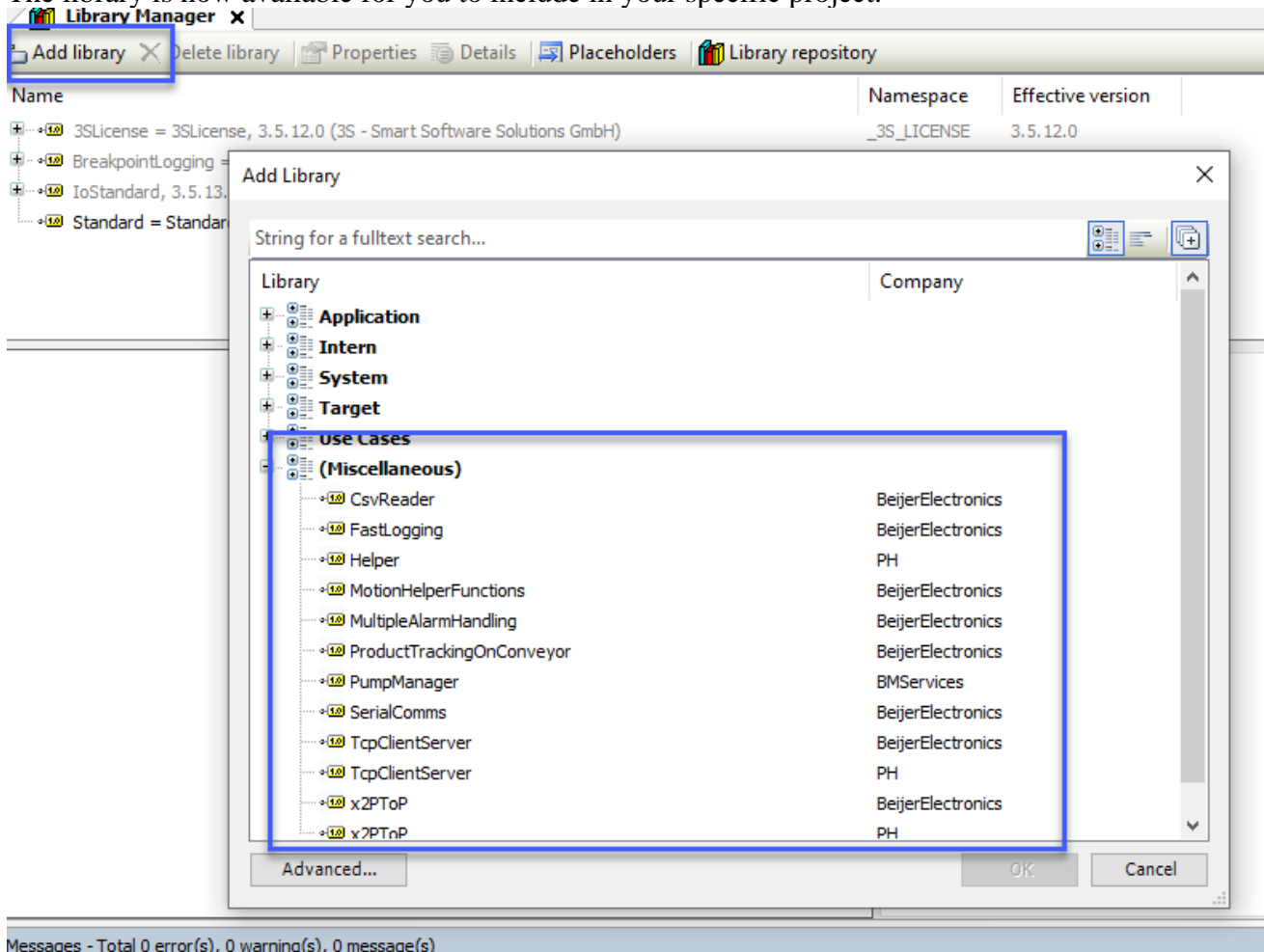
The *.compiled-library needs to be made available in your system so it can be included in projects. This is done by accessing the 'Library Manager' → 'Library Repository' then 'Install'

Navigate to the folder where you have put the *.compiled-library. This procedure will need to be repeated if you use a new PC.



5.2 Add the library into your project

The library is now available for you to include in your specific project.

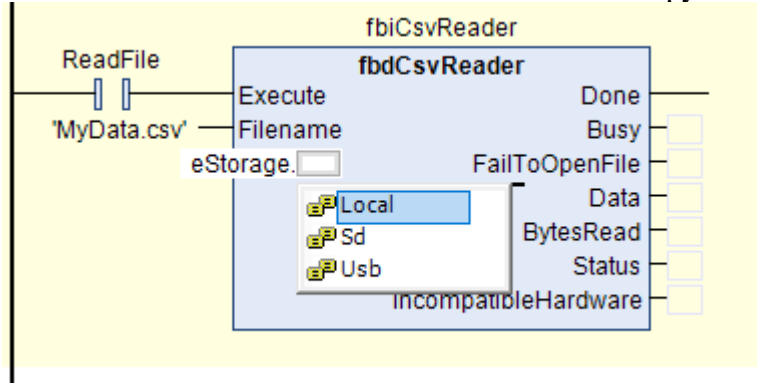


The selected library is now visible in the Library Manager. Its public objects and supplementary help is available here.

6 Description of function blocks

6.1 fbdCsvReader

The FB **fbdCsvReader** will read a *.csv file and copy the text to a STRING.



The block will execute on the rising edge of the **Execute** input.

The location of the *.csv file can be chosen (by enumeration) as:

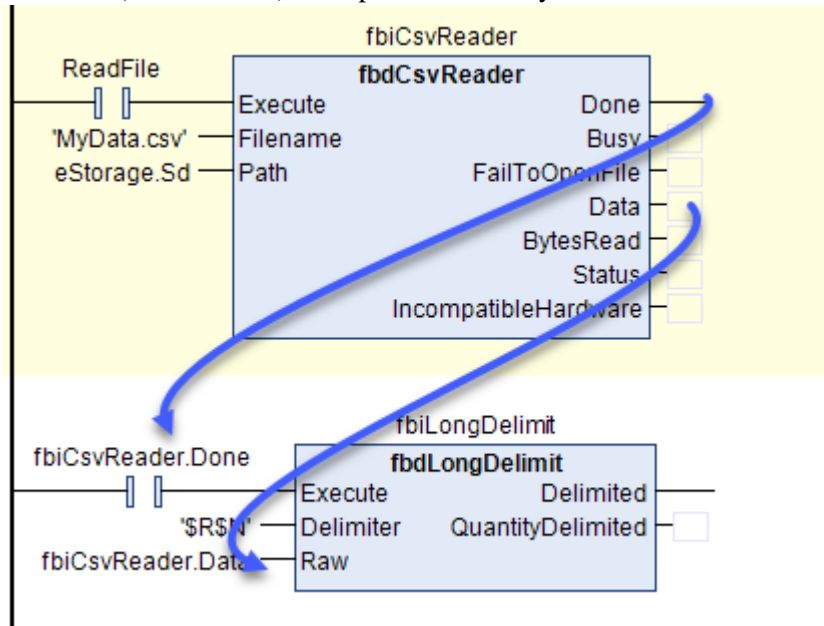
- Local (refers to \Flashdrive\Project\Project Files folder)
- Usb
- Sd

A limit of 30,000 bytes (i.e. characters) is imposed. Codesys can handle longer STRINGS (although without the STRING functions being available) but STRING(30000) is the longest that the IDE can represent.

Name	Scope	Type	Description
Execute	VAR_IN	BOOL	Edge-detected internally
Filename	VAR_IN	STRING	Not case sensitive, and including the file type
Path	VAR_IN	eStorage	Point to where the csv resides
Done	VAR_OUT	BOOL	High for at least one scan after the file has been read
Busy	VAR_OUT	BOOL	High whilst the block is processing. Execution is asynchronous
FailToOpenFile	VAR_OUT	BOOL	Corrupt file; doesn't exist
BytesRead	VAR_OUT	_UXINT	Number of bytes in the csv
IncompatibleHardware	VAR_OUT	BOOL	Not X2Control or BoX2Control devices

6.2 fbdLogDelimiter

The FB **fbdCsvReader** will read a *.csv file and copy the text to a STRING to further process the STRING, the block **fbdLogDelimiter** is provided. This block will accept a STRING and based on a delimiting character (or characters) will split into an array of STRINGS.



Name	Scope	Type	Comment
Execute	VAR_IN	BOOL	Edge-detected internally
Delimiter	VAR_IN	STRING(2)	The character to split the STRING with
Delimited	VAR_OUT	ARRAY[0..999] of uStringByte	Your delimited data (in a UNION). See below
QuantityDelimited	VAR_OUT	UINT	The number of items delimited

The **Delimited** variable is of type **ARRAY[0..999] of uStringByte**:

UNION uStringByte	
Name	Type
AsByte	ARRAY [0..29999] OF BYTE
AsString	STRING(30000)

The Syntax to access the first delimited STRING will be:
fbdLongDelimit.Delimited[0].AsString

This block executes synchronously, so consider this example:

- ProductA;1;2;3;4;5;<CR><LF>
- ProductB;5;5;5;5;5; <CR><LF>
- ProductC;8;7;6;5;4;<CR><LF>

Preference would be to delimit by the <CR><LF> STRING initially, then further process (delimit by the ; character on subsequent separate scans. Consider using a slow, low priority task too.

7 About Beijer Electronics

Beijer Electronics is a multinational, cross-industry innovator that connects people and technologies to optimize processes for business-critical applications. Our offer includes operator communication, automation solutions, digitalization, display solutions and support. As experts in user-friendly software, hardware

and services for the Industrial Internet of Things, we empower you to meet your challenges through leading-edge solutions.

Beijer Electronics is a Beijer Group company. Beijer Group has a sale over 1.6 billion SEK in 2019 and is listed on the NASDAQ OMX Nordic Stockholm Small Cap list under the ticker BELE. www.bejergroup.com

China

Shanghai

NORWAY

Drammen

TAIWAN

Taipei

DENMARK

Roskilde

SOUTH KOREA

Seoul

TURKEY

Istanbul

FRANCE

Paris

SWEDEN

Göteborg
Malmö
Stockholm

UNITED KINGDOM

Nottingham

GERMANY

Nürtingen

USA

Salt Lake City

7.1 Contact us

[Global offices and distributors](#)